

# Replacement Parts

*Applies to:*

**Standard Power Vent Fan and Blower Type Unit Heaters**

**Separated Combustion Fan and Blower Type Unit Heaters**

## IMPORTANT

1. Always include complete heater model and serial number so that any specification change can be considered for parts replacement. It can save time and expense.
2. Specifications are subject to change without notice.
3. We reserve the right to substitute functional replacements
4. Order by PN not Heater Option Designation.

## INDEX

### B

Bearings 15  
Belt 11, 12  
Belt Guard 23  
Blower 15  
Blower Inlet Guard 23  
Burner 18  
Burner Orifice 18

### C

Cabinet Parts 13, 14  
Fan Motor Capacitor 6, 7  
Circuit Board 5, 7  
Circuit Board (DSI Ignition Cntrl) 5  
Collar 14  
Concentric Adapter Box 20  
Contactor 9  
Control Compartment 4  
Control of 2 to 6 Heaters 24  
Gas Conversion Kits 19

### D

Date of Manufacture 3  
Decoding a Serial No 3  
Disconnect Switch 6  
Door Handle 14  
Drives 11, 12

### E

Electrical Components 4, 6  
Exhaust (Vent) Terminal 20  
Exhaust Grill 20

### F

Fan Blade 14  
Fan Guard 14  
Fan Motor 7  
Flame Sensor 5, 7  
Flue Wrapper 17  
Fuse 5

### G

Guards 23

### H

Hanger Bar 13  
Hanger Kits 23  
Heat Exchanger 19  
High Altitude Switch 21

### I

Ignition Control 7  
Combustion Air Inlet 20  
Inlet Guard 20

### L

Limit Control 5, 7  
Horizontal Louver 13  
Vertical Louvers 21

### M

Belt Drive Motor 9  
Blower Motor 9  
Direct Drive Motor 9  
Fan Motor 6, 7  
Venter Motor 16  
Motor Adjustment Bracket 15  
Motor Mounting Components 15

### N

Downturn Nozzles 22

### O

Option CC1 21  
Option CC14 20  
Option CC2 20  
Option CC6 20  
Option CD1 21  
Option CD10 23  
Option CD11 23  
Option CD12 23  
Option CE1 24  
Option CG1 8  
Option CG2 8  
Option CG4 8  
Option CK10 23  
Option CK22 24  
Option CK8 23  
Option CL1 24  
Option CL22 24  
Option CL31 24  
Option CL32 24  
Option CM3 25  
Options CD2, CD3, CD4, CD5 22  
Orifice 18

### P

Paint 14  
Polytube Adapter 23  
High Altitude Pressure Switch 21  
Pressure Switch 6, 7  
Pressure Tap 17  
Blower Pulley 11, 12  
Motor Pulley 11, 12

### R

Rating Plate 2  
References 3  
Restrictor 15

### S

Serial No. 2  
Shaft 15  
Silicone Sealant 20  
Motor Starter 9  
Starter Overload 9  
Ceiling Suspension Kit 24  
Disconnect Switch 6, 7  
Door Switch 6, 7  
Flame Rollout Switch 5, 7

### T

Terminal Board 6, 7  
Thermostat 24  
Thermostat Bracket Kit 25  
Stepdown Transformer Kits 8  
Transformer 5, 7

### V

Gas Valve 6, 7  
Manual Shutoff Valve 24  
Vent Cap 21  
Venter Housing 16  
Venter Motor 16  
Venter Wheel 16  
Venting and Combustion Air Kits 20

### W

Wiring Harness 6

## Warranty—All Models

One-year limited warranty on the heater.

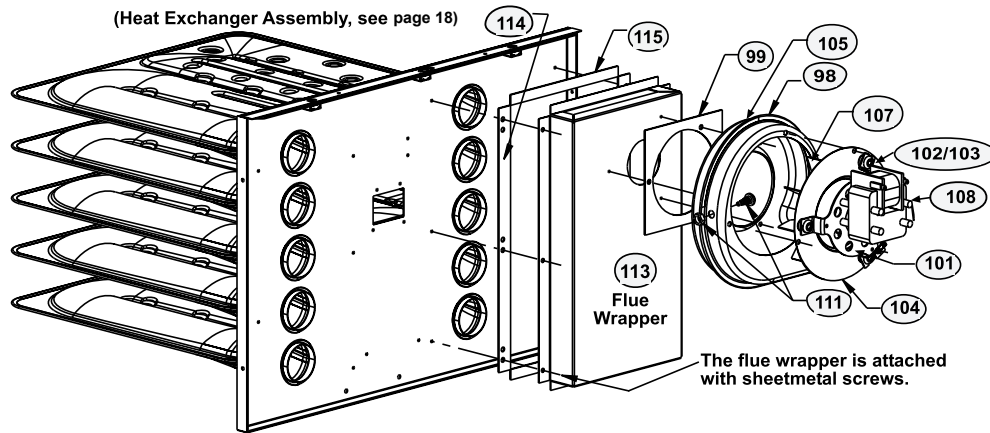
Nine-year extended limited warranty on the heat exchanger, burner, and flue collection box assembly.

Four-year extended limited warranty on all electrical and mechanical operating components (with the exception of blower belts).

**Contact your distributor for details.**

# Venter and Flue Wrapper Components

(Heat Exchanger Assembly, see page 18)

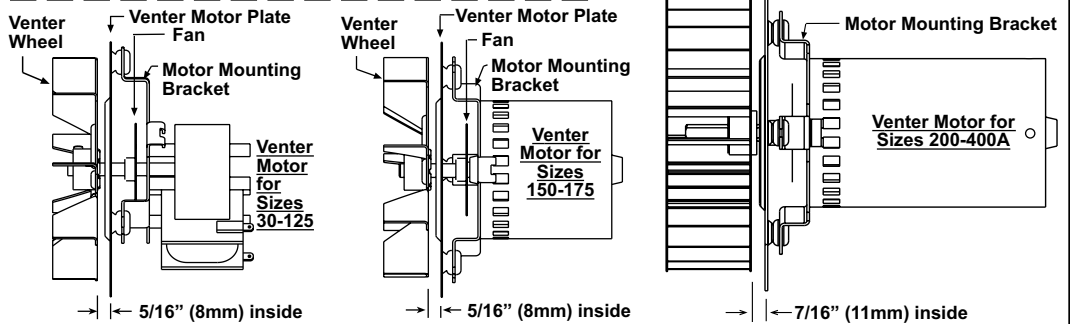


## CODE 109 - Venter Motor Capacitor



See PN's below and location on page 4.

## CODE 100 - Venter Motor and Wheel Assemblies showing Components and Spacing



Code	Description	Model	Size													
			30	45	60	75	100	125	150	175	200	225	250	300	350	400
98	Venter housing	All	196248							195634 prior to 7/23/09; 257029 after 7/23/09						
99	Venter housing gasket		196012							196013 prior to 7/23/09; 254935 after 7/23/09						
100	Venter motor and wheel assy (NOTE: For 460V and 575V supply use 115V venter motor)	115V	All (not w/AV6)	220779			220780		220782		220784			220786		
		208/230V/1ph	Std power vent and separated combustion fan type heaters	220781					220783		220785			220787		
		208/230V/3ph	Std power vent and separated combustion blower type heaters	N/A					220783		220785			220787		
NOTE: CODE 100 includes Codes 101, 102, 103A, 103B, 104, 106A, 106B, 107, 108A or B, and 110.																
101	Venter motor bracket	All	195072*				—		—		195072*					
102	Venter motor isolator		(3) 194534													
103A	Venter motor isolator bushing		(3) 194803													
103B	Venter motor isolator bushing screw		(3) 113275													
104	Venter motor plate		194806							194910						
105	Venter motor plate gasket		201472													
106A	Venter motor clip		Not required													
106B	Venter motor clip screw		Not required													
107	Venter wheel	All models except std power vent fan type heater with CV	195036							195666						
		Std power vent fan type heater with AV6 opt (common vent)	211819			—		—		—		—		—		—

\* Not needed with 236160 through 236163 venter motors.

# Heat Exchanger and Burner Assemblies (cont'd)

## Burner Assembly (cont'd)

Code	Description		Model	Size												
				30	45	60	75	100	125	150	175	200	225	250	300	350
128	Primary Air Restrictor	Propane only	Std Power Vent & Separated Combustion Fan Type Heaters	196687	196688			—	196688	—	—	—	—	—	—	—
			Std Power Vent and Separated Combustion Blower Type Heaters	203078	202051		196688			—	—	—	—	—	—	—
129	Gas Conversion Kits	Natural to Propane	Std Power Vent and Separated Combustion Fan Type Heaters	269835	269836		269837	269838	269839			201732				
			Std Power Vent and Separated Combustion Blower Type Heaters	269840	269841				269839			201732				
		Propane to Natural	All	269851	269852		269853	269854	269855			201738				

## Heat Exchanger Assembly (Quantities Other than One are Listed in Parentheses)

Code	Description			Size												
				30	45	60	75	100	125	150	175	200	225	250	300	350
130	Heat Exchanger Assembly with Gasket Kit	Std Power Vent and Separated Combustion Fan Type Unit Heaters	Aluminized	201628	201629	201630	201631	201632	201633	201634	201635	201636	201637	201638	201639	201640
			409 SS	201654	201655	201656	201657	201658	201659	201660	201661	201662	201663	201664	201665	201666
			316 SS	201641	201642	201643	201644	201645	201646	201647	201648	201649	201650	201651	201652	201653
		Std Power Vent and Separated Combustion Blower Type Unit Heaters	Aluminized	202623	202624	202625	202626	202627	202628	201634	201635	201636	201637	201638	201639	201640
			409 SS	202629	202630	202631	202632	202633	202634	201660	201661	201662	201663	201664	201665	201666
			316 SS	202635	202636	202637	202638	202639	202640	201647	201648	201649	201650	201651	201652	201653
130A	Gasket Kit for Heat Exchanger			201667		201668		201669		201670		201671	221214	201672		